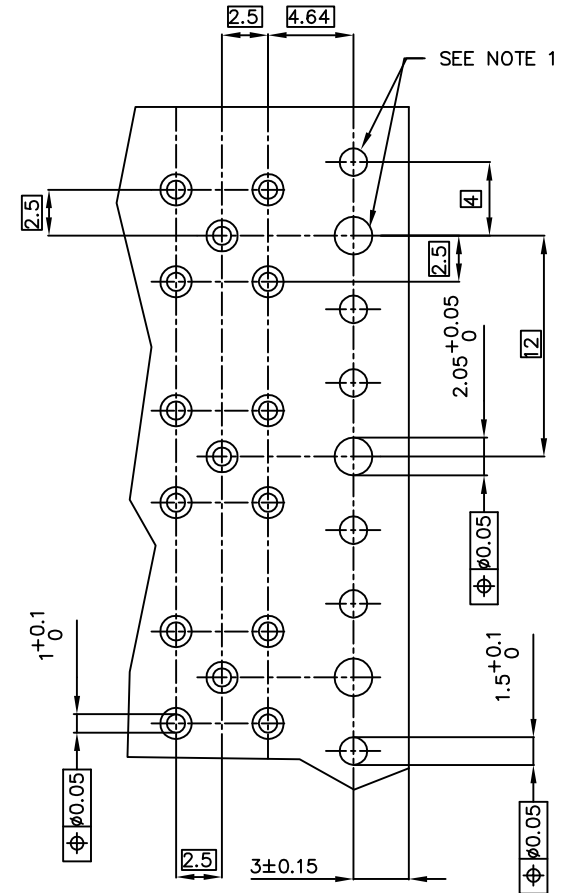
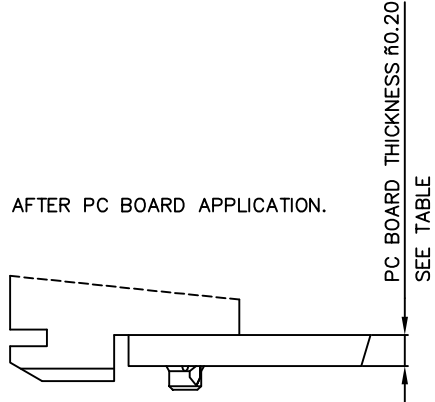
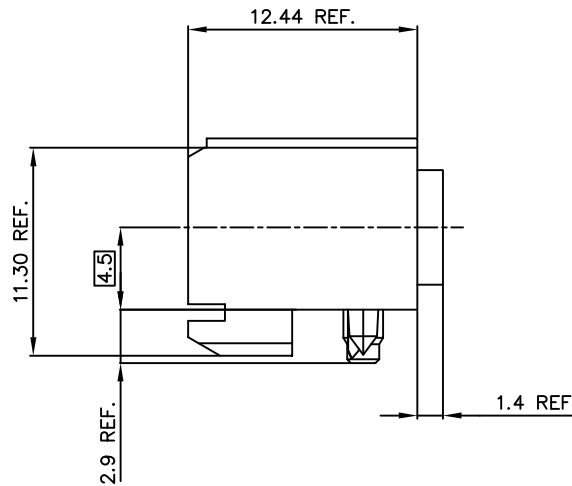
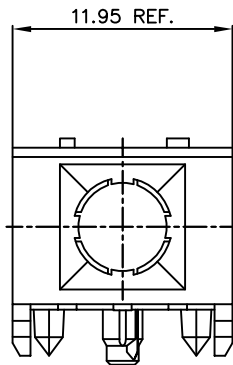


PRODUCT #	PCB THICKNES
89092-101LF	1.6 & 2.4



RECOMMENDED HOLE PATTERN, COMPONENT SIDE.

NOTES:

- INDICATED HOLES ARE UNPLATED.
- MATERIAL: LIQUID CRYSTAL POLYMER 30% GLASS FLAME RETARDANT ACC. UL 94-00 COLOR NATURAL.
- THIS PRODUCT WITH "LF" SUFFIX MEETS EUROPEAN UNION DIRECTIVES AND OTHER COUNTRY REGULATIONS AS DESCRIBED IN GS -22-008.
- THE HOUSING WILL WITHSTAND EXPOSURE TO 260 DEGREE PEAK TEMPERATURE FOR 20 SECONDS IN WAVE SOLDER APPLICATION WITH A 1.6 MM MINIMUM THICK CIRCUIT BOARD.

mat'l. code		tolerances unless otherwise specified		CUSTOMER COPY		ELECTRONICS	
SEE NOTE 2						www.fciconnect.com	
ltr	ec'n no	dr	date	linear	projection	title	
A	H40355	DOB	940616			RA FEMALE HSG	
B	H50047	RVI	950119			HYBRID 12MM PRESS PEG	
C	H90478	DOB	990816	angles		product family	NETRAL (tm)
D	p005-0383	CLU	051011	dr	H.Bouwknegt	931206	code
E	p005-0406	CLU	051027	eng	D.Andrews	931206	213
				chr	D.Andrews	950119	sheet
				app	H.Coolijmans	950119	1 of 1
sheet	revision	E		scale	5:1		
index	sheet	1		size	A2		